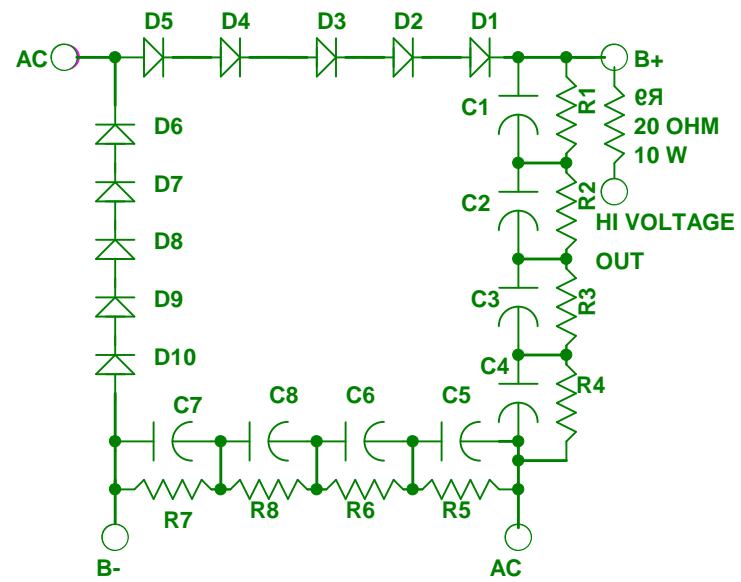


VOLTAGE DOUBLER



R1 -R8 100K 3W

C1-C8 240uF 450V SNAP IN

D1- D10 1N5408

R9 20 OHM 10 W

BY FAR CIRCUITS

6/29/2014