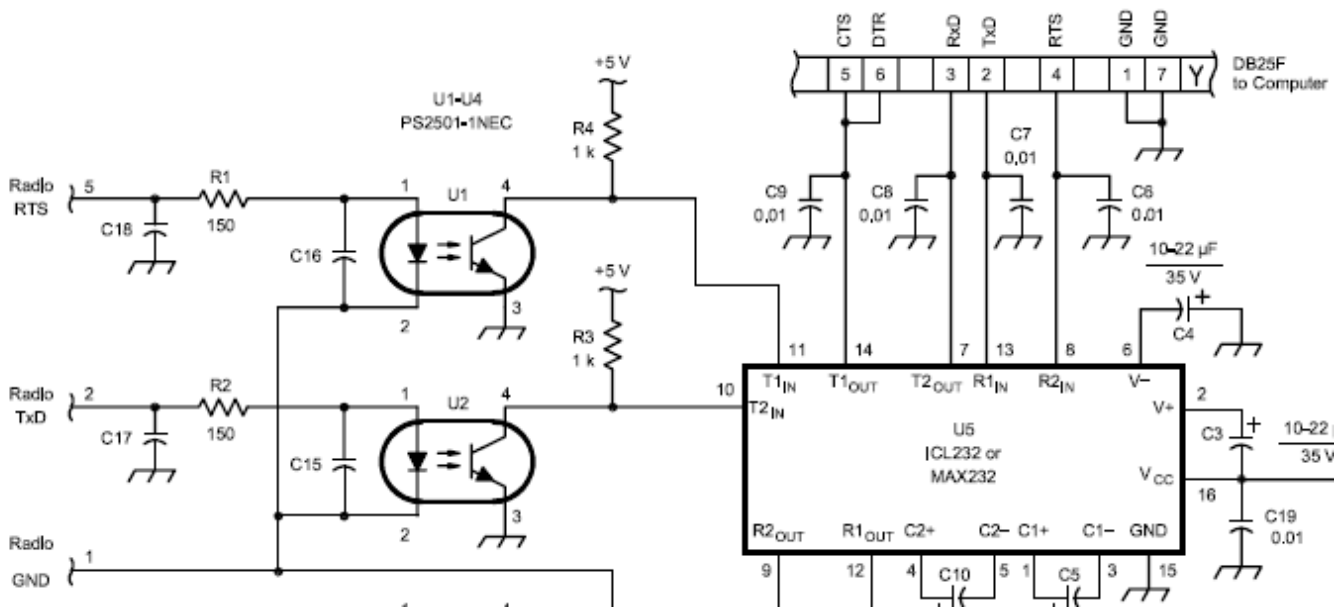


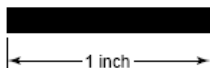
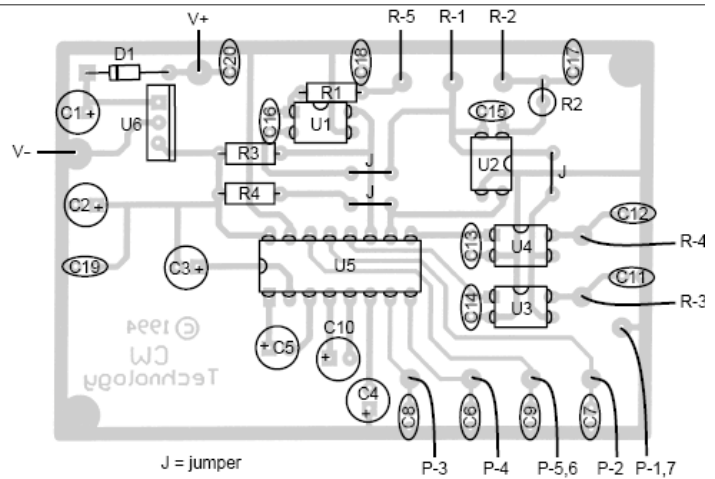
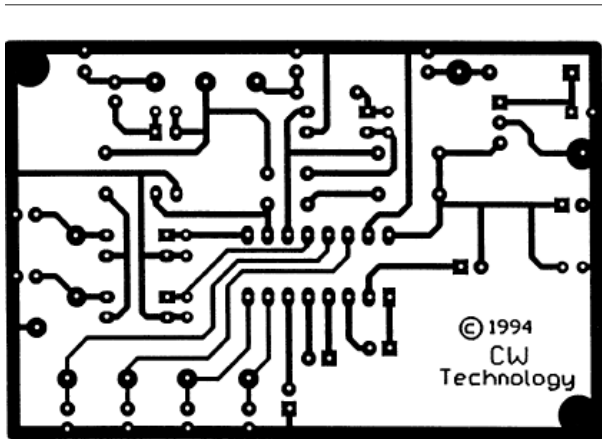
January 16, 2011, from W4WWQ

2011 ARRL Handbook error.

Section 24 Station Accessories, Ref. Figure 24.37, page 24.24



If we assume the schematic diagram is correct with reference to R3 and R4, then the component placement diagram on the CDROM has R3 & R4 shown in reverse locations as shown below.



Kenwood Interface