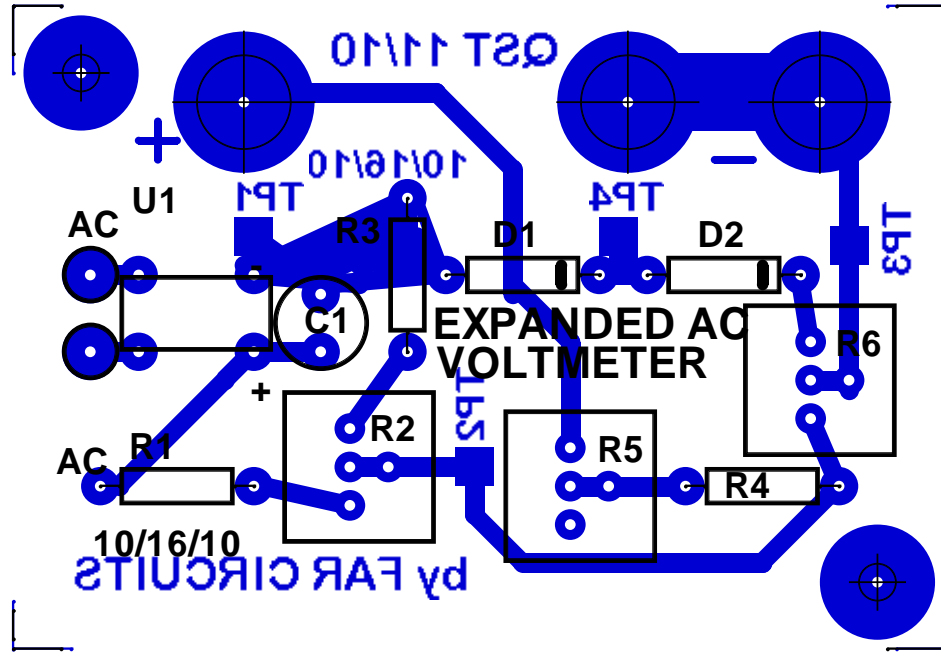


# QST NOV 2010 EXPANDED VOLTMETER FOR 120 OR 240 AC



2.4" BY 1.7"

U1 DIGIKEY DF01MDI-ND