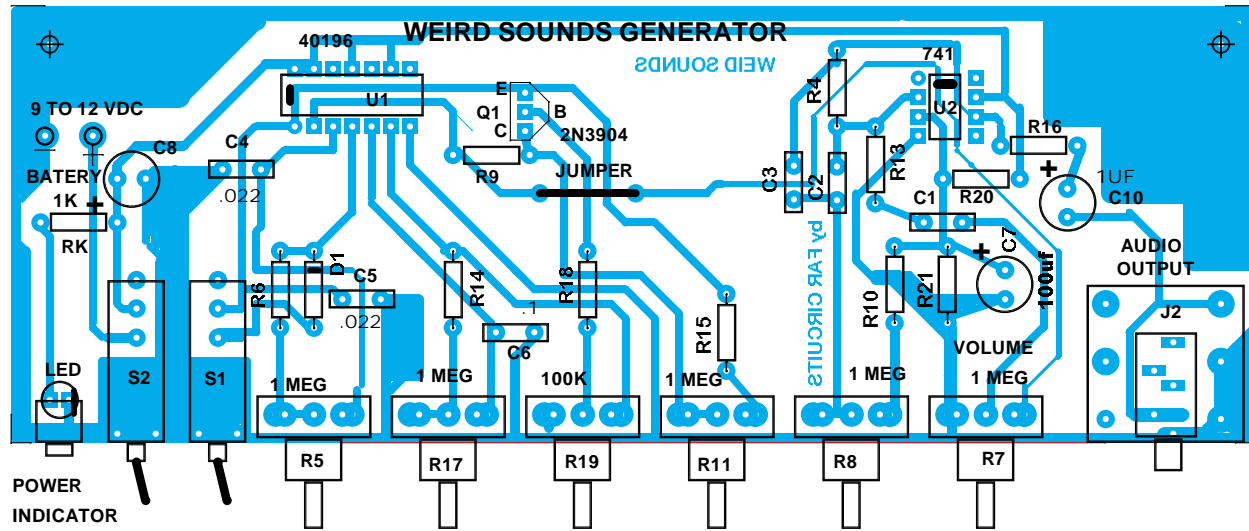


WEIRD NOISE GENERATOR

BOARD SIZE 6.5" BY 2.25"



LED LXH104GD

TOGGLE SWITCHES S&K 7101MD9AV2BE 2 REQ'D

100K POT LINEAR TAPER RV170F-24-15R1-B15 1 REQ

1M POT LINEAR TAPER RV170F-24-15R1-B16 5 REQ

AUDIO JACK 1/8" SWITCHCRAFT 35RAPC2BV4 MONO

VOLUME CONTROL NOT SHOWN ON SCHEMATIC
R12 DELETED AND R7 IS THE VOLUME CONTROL

SEE DETAILS AT http://www.musicfromouterspace.com/analogsynth/YOUR_FIRST_SYNTH.html

THE LETTERS IN THE URL ARE CASE SENSITIVITY